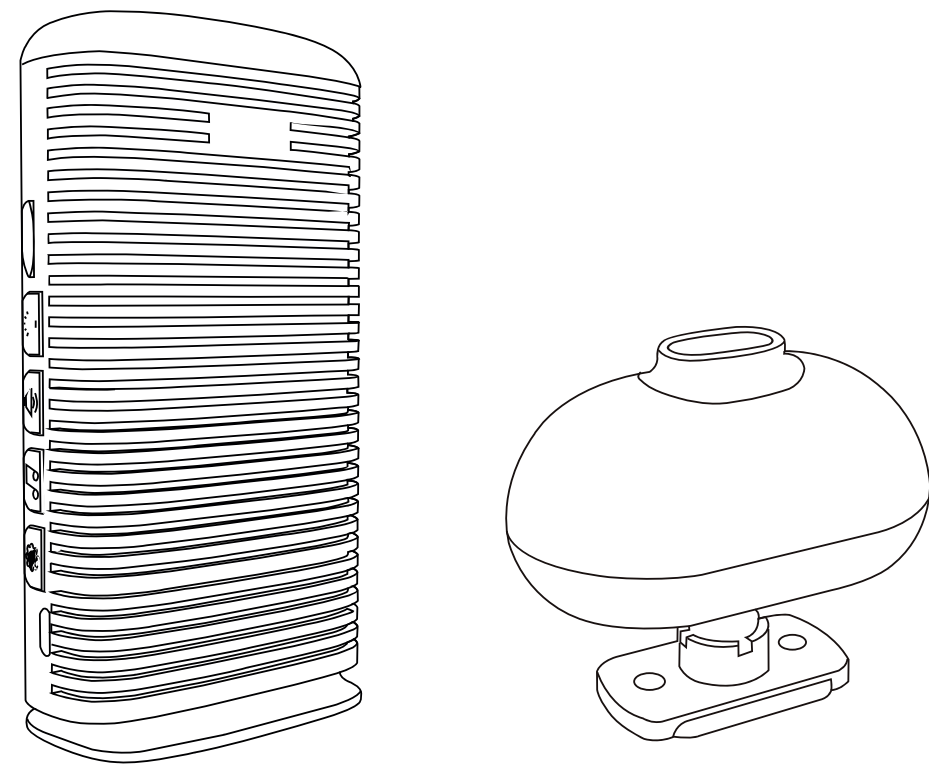


User Manual for Driveway Alarm



North America Office
PO Box 640632,
Oakland Gardens, NY11364, USA
+1.800.203.0388
support@sadotech.com
www.sadotech.com

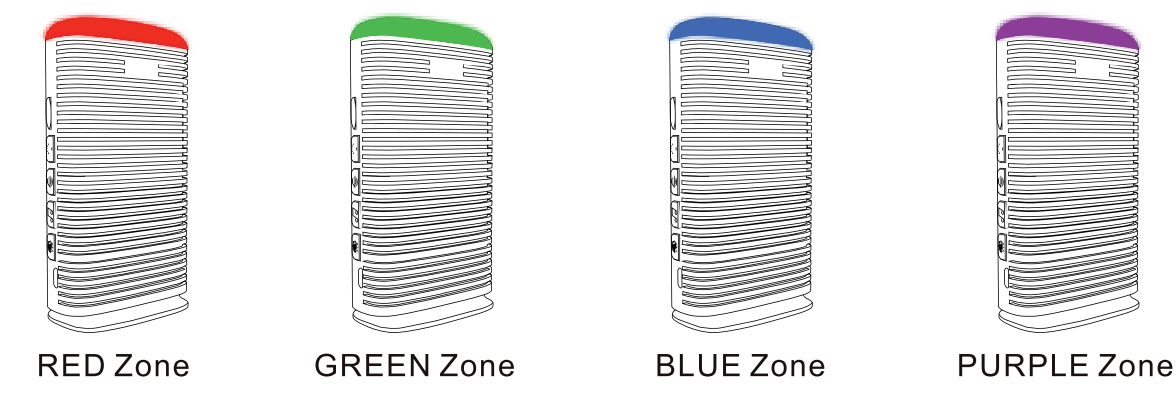
European Office
RUBY HOUSE, 8 RUBY PLACE
ABERDEEN, AB10 1ZP, UK
+1.800.203.0388
support+eu@sadotech.com
www.sadotech.com

1

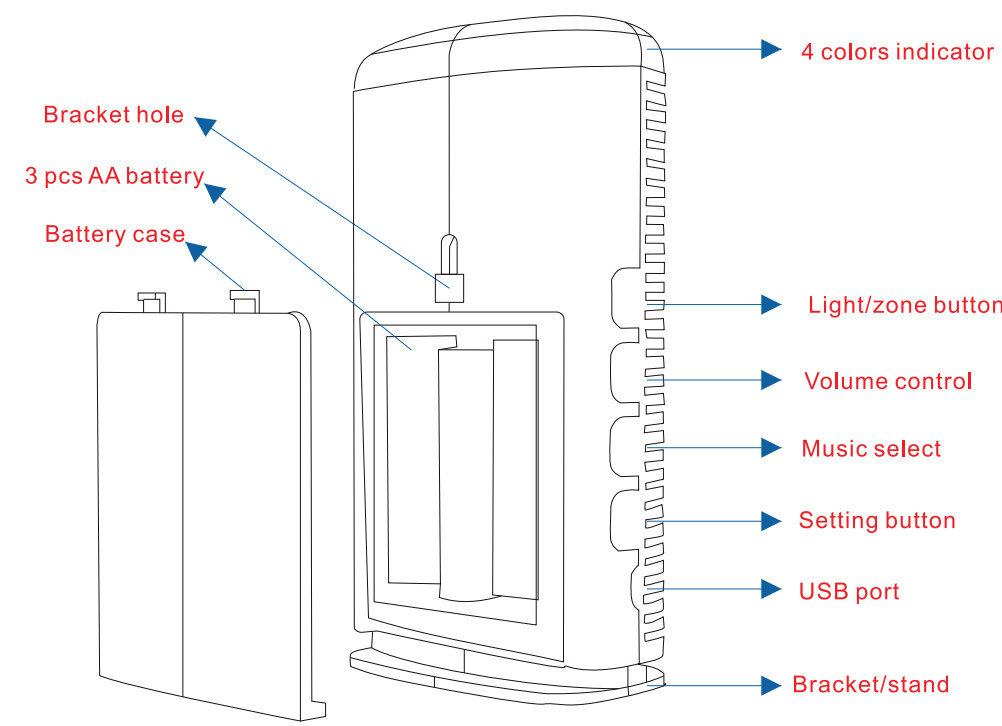
Introduction

Wireless driveway alarm hidden outdoor motion sensor alert system with 1150ft long range receiver & ip44 waterproof transmitter, 4 defense zones for home or office security protection with 16 ringtones. The outdoor motion sensor uses waterproof design for outdoor usage. The sensor can automatically detect the movement of human bodies or vehicles as they enters or passes through the detection zone. If there is a dynamic movement, it will send a signal to the receiver.

Features

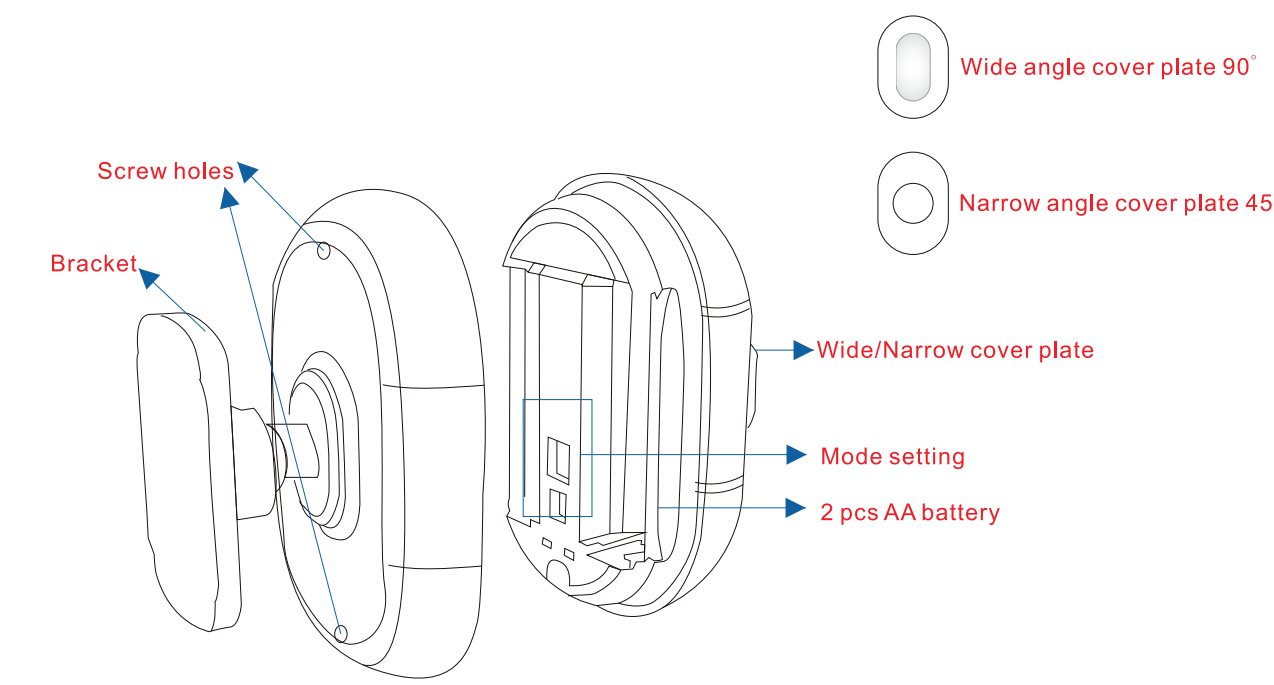


Receiver



2

Motion PIR Sensor



Receiver operation instruction

Long press **[🔆]** : turn on/off. You will hear 3 short beeps.

Short press **[🔆]** : low power status indicator of sensor in each colored (1-4) zones. If sensor has low power, the (sensor/zone) light will flash 3 times.

Short press **[🔊]** : adjust 5 volume levels (including a mute level with light only)

Short press **[🎵]** : listen to tone in the specified sensor/zone

STEP 1: CHOOSE which zone you want to configure by entering pairing state for the desired zone

1. Enter Pairing State for **RED Zone** (1)

Long press **[🔴]** , when the LED light shows red, the host enters the pairing state of RED zone.

2. Enter Pairing State for **GREEN Zone** (2)

While in RED zone state, short press **[🟢]** once to enter the pairing state of GREEN zone. GREEN LED light will turn on.

3. Enter Pairing State for **BLUE Zone** (3)

While in RED zone state, short press **[🟡]** twice to enter the pairing state of BLUE zone. BLUE LED light will turn on.

3

4. Enter Pairing State for **PURPLE Zone** (4)

While in RED zone state, short press **[🟣]** three time to enter the pairing state of PURPLE zone. PURPLE LED light will turn on.

5. Exit Pairing State

When in any zone pairing state, short press **[🔴]** 4 times to quit the pairing state. Light will turn off on the receiver.

Note: When in pairing state, 20 seconds without any operation, the receiver will quit the pairing state automatically.

STEP 2: PAIRING sensors with the receiver for the chosen zone

1. SELECT DESIRED CHIME/TONE

While you are in the pairing state of a zone, short press "🎵" button continuously on the receiver until desired ringtone is achieved.

2. SELECT CHIME/TONE ALERT FREQUENCY (1, 2, 3, or 4 times)

While you are in the pairing state of a zone, short press **[🔆]** to set the number of times selected tone of this zone will ring (1-4 times optional, when select X time(s), the LED light will flash and beep X time(s) to indicate ring frequency is set)

3. PAIR A SENSOR WITH THE RECEIVER

While in pairing state trigger the motion sensor by waving hand over the sensor

i. The receiver beeps twice and the LED light flashes twice, showing the sensor is added successfully.

ii. The receiver beeps once and the LED light flashes once, showing the sensor has been added before.

iii. The receiver beeps three times and the LED light flashes three times, indicating no sensor can be added any more. Note: There is a limit of up to 2 sensors that can be paired to a receiver.

iv. TO UNPAIR ALL SENSORS IN THIS ZONE - When in pairing state, long press and hold **[🔴]** after the receiver beeps four times and the LED lights flashes four times, all sensors in this zone are now unpaired.

4. EXIT PAIRING STATE

When in any zone pairing state, short press **[🔴]** 4 times to quit the pairing state. Light will turn off on the receiver. (Note: The receiver will automatically exit the pairing status of adding sensors if no action is taken in 20s.)

4

Sensor operation instruction

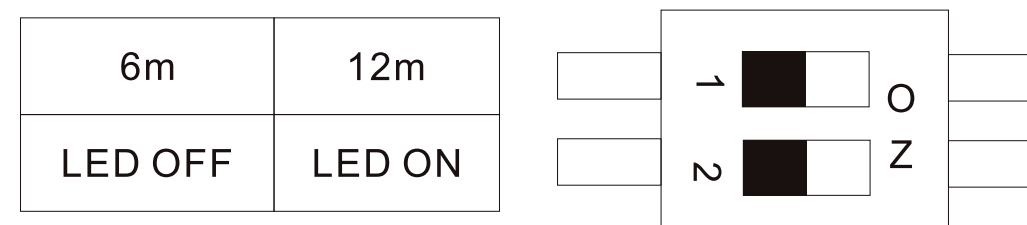
1. LED indicator

Flashes once : Sensor was triggered

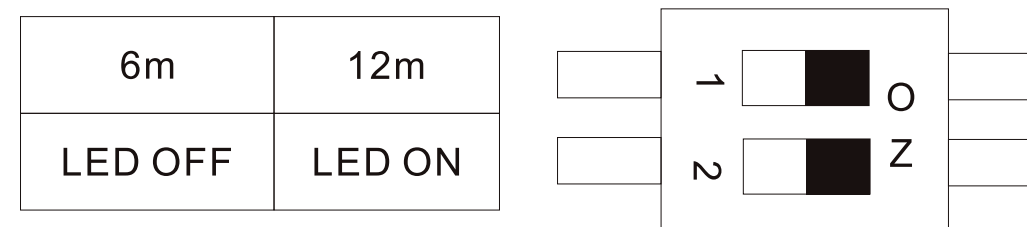
Flashes once every 3s: Low battery prompt, please change the battery.

2. Mode Setting

Turn switches to 12m/LED ON: The sensor's detection distance is 12 meters and LED indicator is on. When LED ON, the sensor's LED light will flash when humans or vehicles pass by.



Turn switches to 6m/LED OFF: The sensor's detection distance is 6 meters and LED indicator is off.



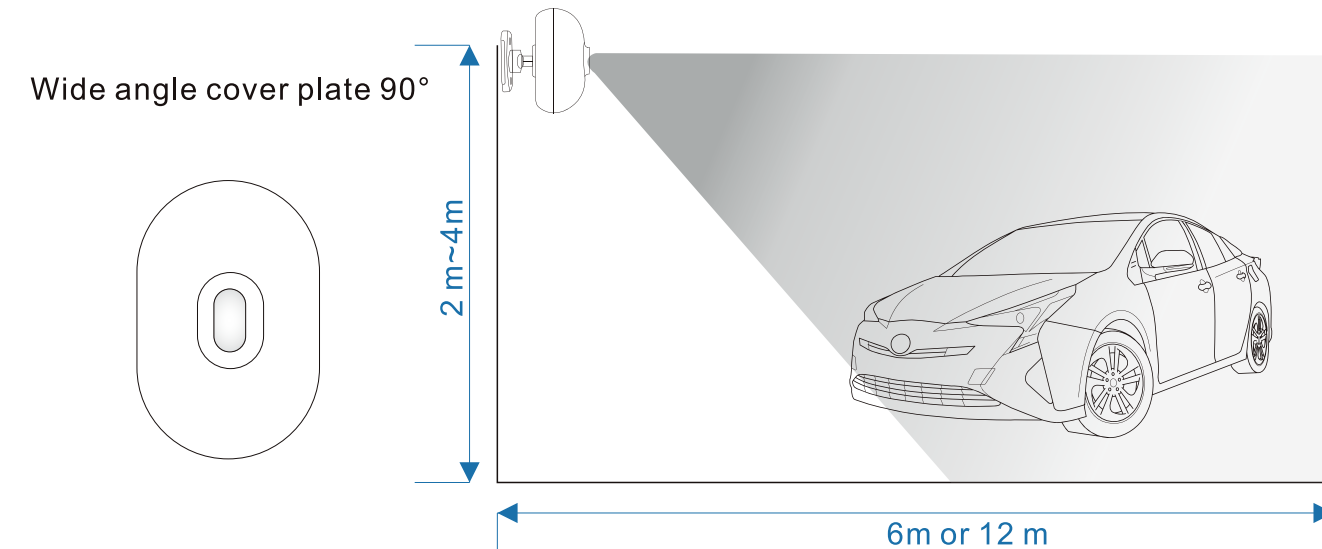
Detection Range

1. Select appropriate height to install the detector bracket:

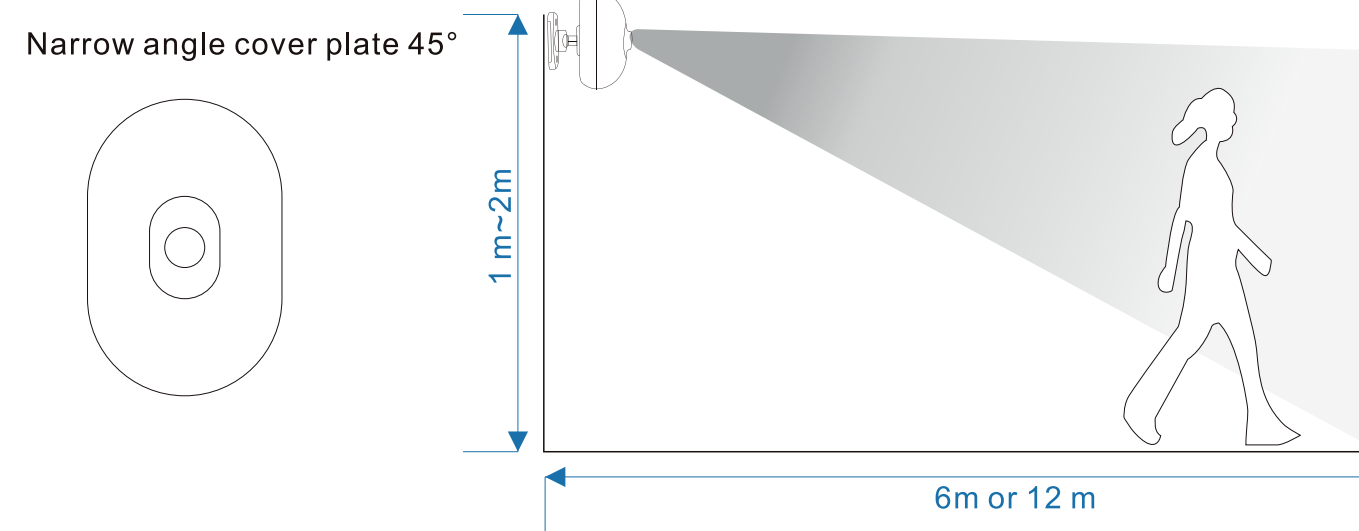
2~4m (vehicle), 1~2m (human)

2. Select different angle cover plate for different subject:

90° (vehicle), 45° (human)



5



Receiver Low Power Prompt

When the battery voltage is lower than a certain value, the receiver will enter LOW POWER MODE, and the RED LED light will flash 4 times every 60s or when you press any button on the receiver. It reminds users to replace batteries or connect the USB power supply.

Sensor Low Power Prompt

When the battery voltage is lower than a certain value, the receiver will get a signal from detectors and the LED light in corresponding zone will flash 3 times to prompt the need of replacing batteries. When the receiver gets a low power signals, Short press **[🔆]** , If sensor has low power, the (sensor/zone) light will flash 3 times. It reminds user to replace the battery.

Return to Default First Ringtone

1. First the receiver is power on with usb power supply or battery supply.
2. Next, long press **[🔆]** and **[🔴]** simultaneously on the receiver, after the receiver beeps once and RED LED light flashes once, release the buttons. The tone will return to the first one, the volume is back to the largest but detectors haven't been deleted.

6

Clear All Settings – Unpair all sensors from receiver

1. First unplug or take out battery of the receiver.

Next, while unplugged, long press **[🔴]** and plugin or switch on the receiver, waiting for the continuous slow beep sound and the flashing green light for 10 times. When the receiver shows fast-flashing green light, it has deleted all the sensors and restored factory default settings.

Technical parameters of receiver

Working voltage: DC USB-5V or 3*AA batteries
Standby current: <10uA
Working current: <80mA
Frequency: 433MHz
Receiving distance: 1000 feet (in open area)

Technical parameters of sensor

Working voltage: 2*AA batteries
Standby current: ≤20uA
Alarm current: ≤25mA
Batteries life: 1 year
Detection interval: 5s
Detection distance: 6-12m
Detection angle: 90 degrees
Working temperature: -10°C~+50°C
Outdoor usage: waterproof (IPV4)
Working humidity: up to 95% RH (no condensation)
Installation height: 1~2m (vehicle), 2~4m (human)
Frequency: 433Mhz
Receiving distance: 1000 feet (in open area)

7

Contents

1 receiver
1 sensor
1 bracket/stand for receiver
1 bracket for sensors
2 cover plates for sensor
1 USB cable
1 USB adapter
5 AA battery
4 screws
1 screwdriver
2 tapes

8