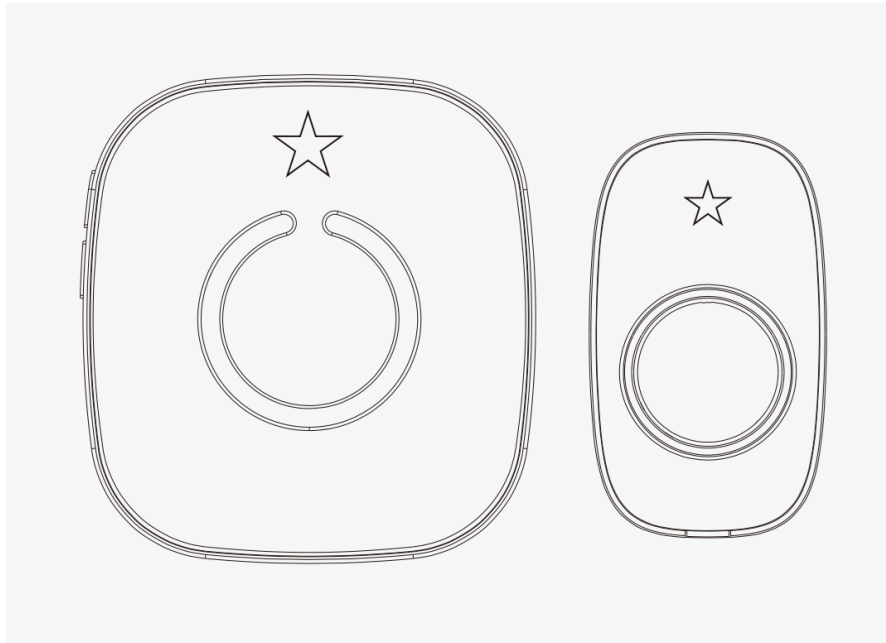




# SadoTech.com

## Expandable Series Wireless Multi Unit Doorbell System



Thank you for purchasing our Wireless Doorbell system. Please carefully read this user manual before usage and installation.

**North America Office:**

PO Box 640632, Oakland Gardens,  
New York 11364, USA

+1.800.203.0388

[support@sadotech.com](mailto:support@sadotech.com)

[www.sadotech.com](http://www.sadotech.com)

**European Office:**

11 The Office Village,  
North Road, Loughborough, LE11 1QJ, UK

+1.800.203.0388

[support+eu@sadotech.com](mailto:support+eu@sadotech.com)

[www.sadotech.com](http://www.sadotech.com)

## Product Introduction

The Expandable wireless doorbells are the doorbells with a learning code feature. They are configurable and can be expanded to work with 30 pieces of additional receivers, doorbell buttons and sensors including door sensors and motion sensors. For example, adding a door sensor or motion sensor can provide you with a motion activated door entry chime or entry alert system. Pairing additional parts can be done using a simple procedure in 10-15 seconds.

## Product Features

- Modern and stylish design
- 600 feet operating range (in the open area)
- 52 selectable ring tones
- 4-level adjustable volume
- Easy to install and use
- Bionic comfortable button
- Easy mix and match with more receivers, buttons and sensors
- Low power consumption
- Waterproof external buttons

## Contents

Receiver(s), Transmittor(s), battery, screws, expansion bolts, adhesive stickers.

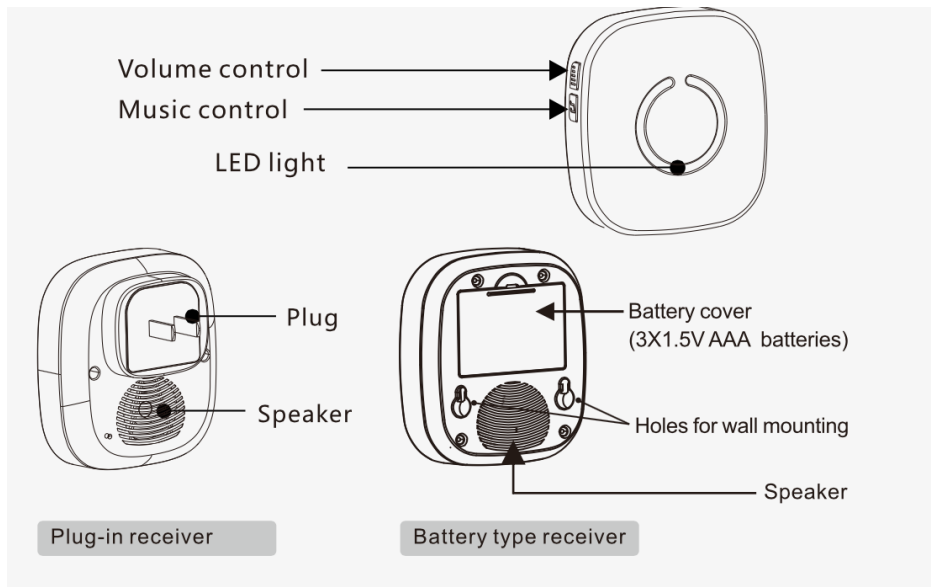
## Intended Use

For homes, apartments, villas, offices, shops, warehouses and so on.

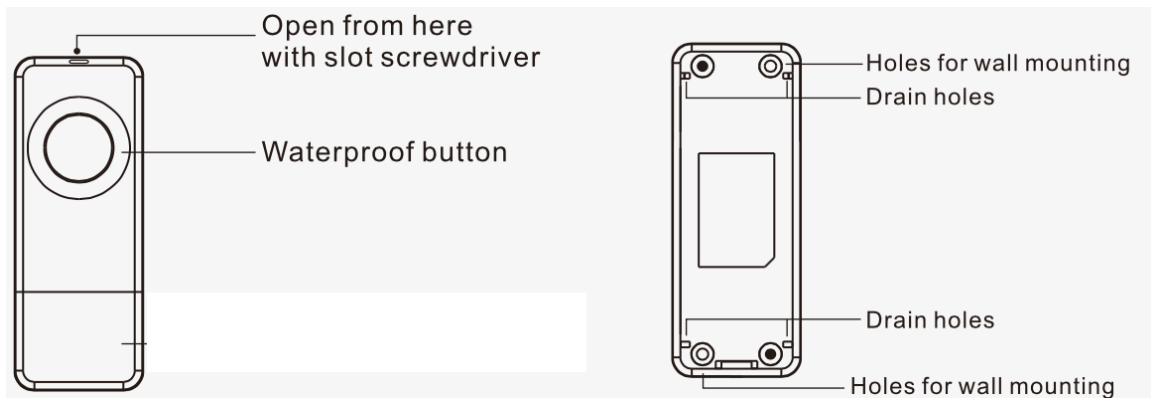
## Parameters

Voltage of plug-in receiver	AC 110V (US)/ AC 220V (UK/EU)
Voltage of battery receiver	DC 4.5 V (3 x 1.5V AAA batteries)
Battery in remote control (transmitters)	12V 23A alkaline battery
Power consumption of remote control	< 10mw
Volume range	3~110dB
Working frequency	315/433 MHz±2MHz
Working temperature	-15°C~60°C
Working range	600 feet

## Product Diagram (Receiver)



## Product Diagram (Waterproof Transmitter)



## What you should know before installation

The doorbell's radio frequency signal can be affected by metal, walls, concrete and interference signals from other products. Our expandable doorbells can work within 600 feet range in the open and non-interference environment. Generally it can work within 100-500 feet through the metal security doors.

1. Test the operating range you desire. Choose an electric outlet and plug in the receiver; pull out the insulating strip in the button and take the button outside the door to test if it can work well within the range you choose.
2. Choose the desired ringtone (different or same melody) for transmitters before installation. For ringtone setting, see Operating Instructions below. Doorbells have been matched and set to a default sound (Ding Dong) before leaving factory.
3. Please do not install transmitter on metal doors since metal is not easy for the signal to transmit.
4. Please put receiver into the outlet far away from induction cookers, televisions, microwaves or other electronic appliances which all produce a magnetic field or interfering signals that may affect the doorbell operation.
5. Be sure to align the battery compartment cover the right way before putting back on, or the case may damage.
6. Operating range will become shorter and blue indicator turns less light if battery in transmitter is at low power status. Battery type is 12V 23A.
7. Battery of waterproof transmitter is on the lower side of the PCB board due to waterproof design. There's a small screw in the middle of PCB board. Please unscrew it to find the battery when you need replace battery.

## Operating Instructions

### 1. Volume Adjustment

There are 4 levels of volume for choosing. Find the volume control button on the left side of receiver. Press this button repeatedly to get desired volume level.

### 2. Music/Chime Selection

There are 52 different ring tones. You can set different or same melody for transmitters. Ring tone and pairing setting can be made at same time. Operations are the same, see step 3, a-b-c.

### 3. Pairing and changing ring tones

Please do the following steps as soon as possible since receiver will exit learning mode automatically if it doesn't get signal from Transmitter in 5 seconds. In order to avoid interference, pair 1 Transmitter only at a time.

- a) Select desired ring tone by pressing Music Control button
- b) Set Receiver into learning mode (pairing mode) by either method i) or method ii) below. A chime and LED flashing will indicate the ready status.
  - i) Press the Volume and Music Control buttons on the Receiver simultaneously.
  - ii) Or press the Volume Control button on the receiver for 5 seconds.
- c) Pair transmitter with Receiver by pressing button on transmitter. You will hear the tune you selected, which means that your operation is completed successfully.

### 4.Add additional Receivers or Sensors

Repeat steps a-b-c above to add more Receivers or Sensors. Our system supports up to 30 Transmitter or Sensor combinations.

Receiver also can work with other Transmitters like door and motion sensor. You can pair them with a Receiver as above but there are different ways to trigger them:

**Door sensor:** Separate the two parts of door sensor to trigger it until you see the indicator light up and hear the tune you selected.

**Motion sensor:** Switch on motion sensor and then wave your hand in front of the detector of motion sensor to trigger it until you see the LED indicator light up and hear the tune you selected.

### 5.Reset

To reset all settings, press the Music Control button for 5 seconds, then pairing will be reset and tune turns into the default music--Ding Dong. You can trigger transmitter to verify the default ring tone—Ding Dong.

For further support, please visit [www.sadotech.com](http://www.sadotech.com)

## Installation Methods

### For Receiver:

Plug-in receiver: Just plug receiver into standard outlet in room, then it will work. Please choose music or make pairing first if you want to add more transmitters.

Battery-type receiver: Put in three 1.5 AAA batteries, then you can choose whether to hang it up or just put it on desk.

**For Transmitter:** There are two installation methods for the Transmitter as follows:

NOTE: please first test whether the operating range you choose is working and prepare an electric drill and Phillips or slotted screwdriver before installation.

### **Transmitter Installation Method 1: Screws/Anchors (preferred method)**

1. After choosing the location for installation, use slotted screwdriver to open front cover of transmitter. Then take out the battery.
2. Locate the two reserved wall mount openings under the holes in the PCB Board (see diagram above) and create an opening with a screwdriver or electric drill.
3. Drill holes in the wall with electric drill. Then insert the 2 expansion (anchors) bolts provided in the package. Then screw PCB board into the wall.
4. Finally, put battery cover and front case. Be sure to align the battery compartment cover the right way. Your installation is complete.

### **Transmitter Installation Method 2: Adhesive Sticker (optional method)**

1. Ensure all surfaces are clean by wiping the installation area with a clean cloth.
2. After ensuring the correct operating range, tear off one side of the double-sided adhesive sticker and stick it to the underside of the transmitter; tear off the other side and stick it onto the wall and press for 10 seconds.  
(Please note that the sticker will have poor adhesion if you attach to a dirty or uneven surface. Sunlight or rain will also affect the adhesion over a longer period of time)

## Common Problems and Troubleshooting

### 1. Receiver cannot obtain signal from transmitter:

**Reason 1:** Low battery in transmitter. The less power in transmitter, the shorter range is. **Solution 1:** Use a fresh new battery or plug Receiver into a nearer outlet.

**Reason 2:** Plug of receiver is loose. **Solution 2:** Re-plug your receiver.

**Reason 3:** Reset the receiver by accident so that transmitter is not paired with receiver any more. **Solution 3:** Re-pair receiver with transmitter as per Operation Instructions.

### 2. Short operating range:

**Reason:** There are too many obstacles like walls or metal doors between receiver and transmitter or low power in transmitter. **Solution:** Test operating range before installation and change location or battery.

### 3.Receiver suddenly rings itself without pressing button

**Reason:** Same signal from other electronic device in your house was learnt to receiver when you are changing ring tone or making pairing, which can also trigger the receiver. **Solution:** Clear up all settings and reset doorbell as soon as possible.

### 4. Failed to let receiver enter learning mode

**Reason :** Press Volume Control Button on receiver more than or less than 5 seconds. **Solution :** Press this button for 5 seconds until you hear a sound and see LED light up

### 5. Blue light in Receiver and Transmitter comes on but no sound.

**Reason:** Low battery in Transmitter. The less power in Transmitter, the shorter the Transmitter range is. **Solution:** Use a fresh battery or move closer to plug-in Receiver.

For further support, please visit [www.sadotech.com](http://www.sadotech.com)